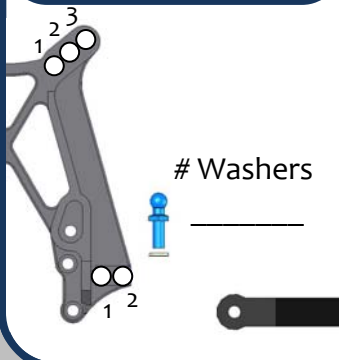




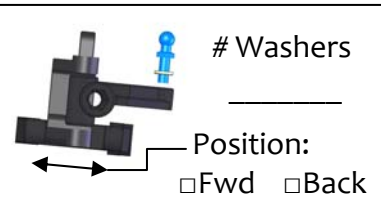
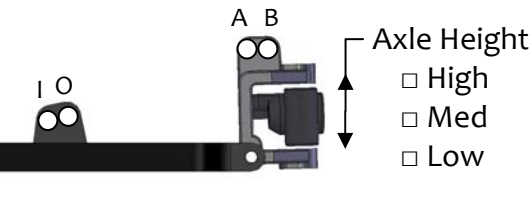
Driver: _____ Date: _____
 Track/Event: _____

Front Suspension



Ride Height: _____
 Camber: _____° Toe: _____°
 Ackerman: Forward Back

Servo: Fwd Back
 Axles: Trailing Inline
 Caster Block:
 20° 25° 30°

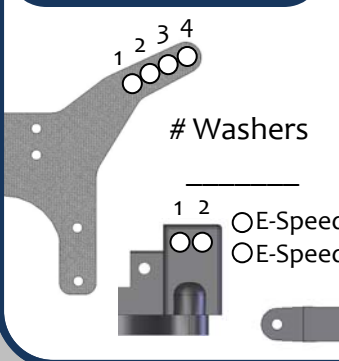


Front Shocks

	Spring	Piston	Oil
AE			
Losi			
Kyosho			

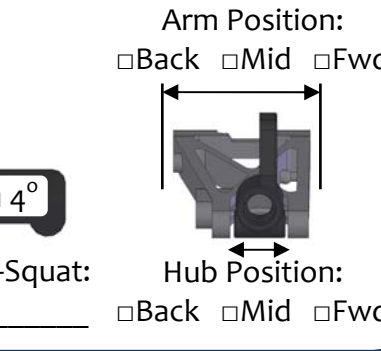
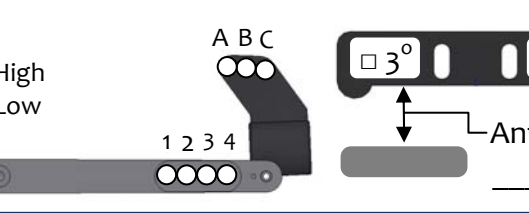
Shock Length: _____
 Compressed Length: _____

Rear Suspension



Ride Height: _____
 Camber: _____°
 Transmission Height: _____

Sway Bar: _____



Rear Shocks

	Spring	Piston	Oil
AE			
Losi			
Kyosho			

Shock Length: _____
 Compressed Length: _____

Weight

Total Weight: _____
 F/R Bias: _____ / _____

Notes/Rants/Excuses

Battery: _____ Motor: _____ Gearing: _____ / _____