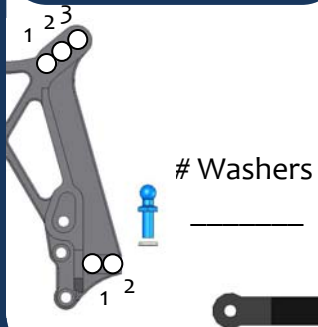




Driver: _____ Date: _____
Track/Event: _____

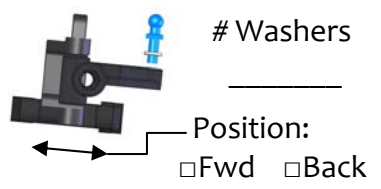
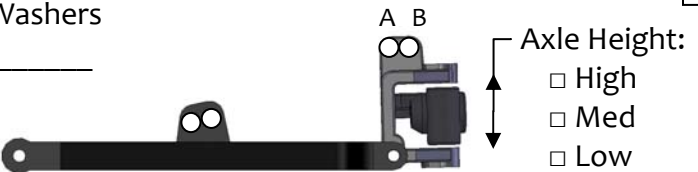
Front Suspension



Ride Height: _____
Camber: _____° Toe: _____°
Ackerman: Forward Back

Servo: Fwd Back
Axles: Trailing Inline
Caster Block:
 20° 25° 30°

Washers _____

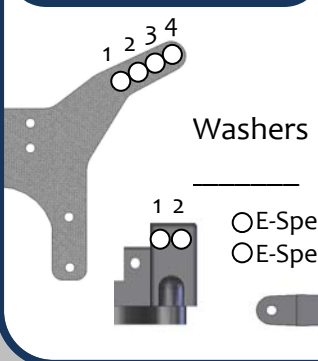


Front Shocks

	Spring	Piston	Oil
AE			
Losi			
Kyosho			

Shock Length: _____
Compressed Length: _____

Rear Suspension

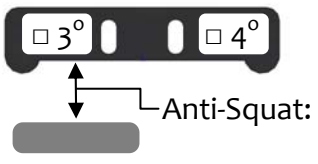
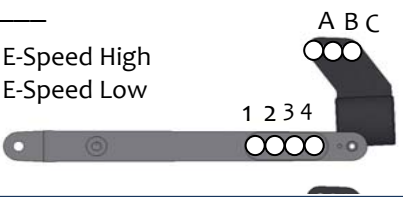


Ride Height: _____
Camber: _____°
Transmission Height: _____

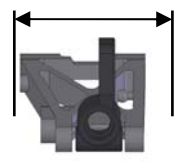
Sway Bar: _____

Washers _____

E-Speed High
 OE-Speed Low



Arm Position:
 Back Mid Fwd



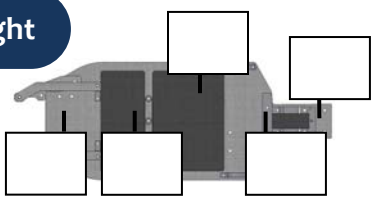
Hub Position:
 Back Mid Fwd

Rear Shocks

	Spring	Piston	Oil
AE			
Losi			
Kyosho			

Shock Length: _____
Compressed Length: _____

Weight



Total Weight: _____
F/R Bias: _____ / _____

Notes/Rants/Excuses

Battery: _____ Motor: _____ Gearing: _____ / _____