

FACTORY X-6³ Setup sheet

Arm0 - V1.2

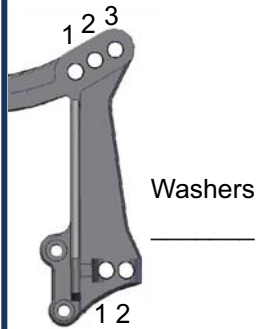
Driver: _____ Date: _____
 Event: _____
 Track: _____

Track Condition

Composition: Astroturf Blue Groove Carpet Clay Dirt Grass Other: _____
 Layout: Open Tight Surface: Bumpy Smooth Grip: Low Medium High

Front Suspension

Toe: _____ Axles: Trailing Inline
 Camber: _____ Caster Block: 20° 25° 30°
 Ride Height: _____ Ackermann: Forward Back



Front Shocks

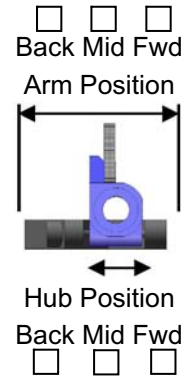
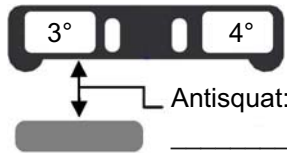
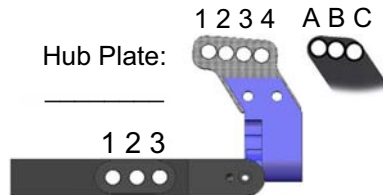
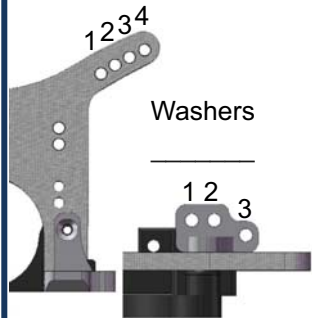
Brand: _____
 Spring: _____
 Piston: _____
 Oil: _____ Emulsion: Yes No
 Limiters: _____

Front Tires

Tire: _____
 Insert: _____
 Wheels: _____

Rear Suspension

Camber: _____ Rear Hub Carrier: 0° 0.5°
 Ride Height: _____ 1° 1.5°
 Transmission Height: _____
 Swaybar: _____ Trans Brace
 Hinge Pin Brace Spacer: 0 1mm 2mm 3mm



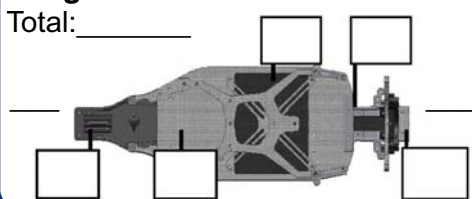
Rear Shocks

Brand: _____
 Spring: _____
 Piston: _____
 Oil: _____ Emulsion: Yes No
 Limiters: _____

Rear Tires

Tire: _____
 Insert: _____
 Wheels: _____

Weighs:



Comments:

Body & wing: _____

Battery: _____
 Motor: _____ Gearing: ____/____
 Diff Settings: _____
 Slipper: _____ 2 pads 3 pads
 ESC: _____
 ESC Settings: _____