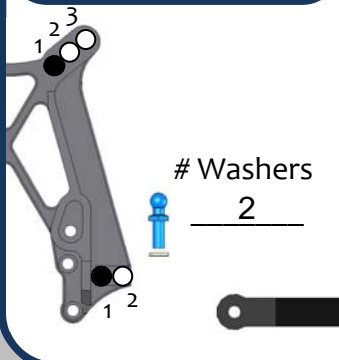




Driver: Leon McIntosh Date: _____
 Track/Event: Lake Park

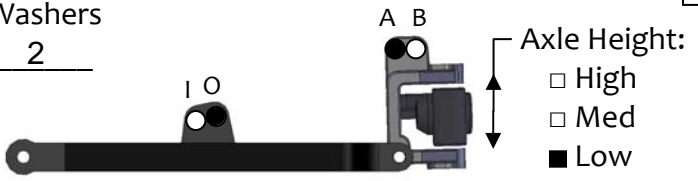
Front Suspension



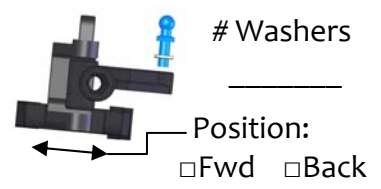
Ride Height: _____
 Camber: _____° Toe: _____°
 Ackerman: Forward Back

Servo: Fwd Back
 Axles: Trailing Inline
 Caster Block:
 20° 25° 30°

Washers 2



Axle Height:
 High
 Med
 Low



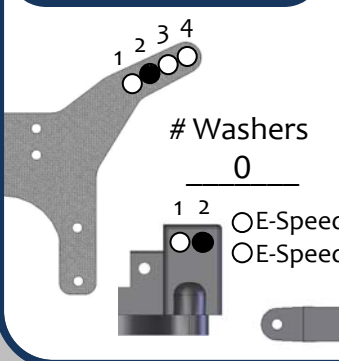
Washers _____
 Position:
 Fwd Back

Front Shocks

	Spring	Piston	Oil
AE	Blue	2	35
Losi			
Kyosho			

Shock Length: 2 Limiters
 Compressed Length: _____

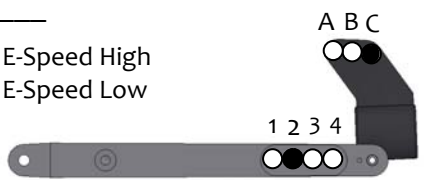
Rear Suspension



Ride Height: _____
 Camber: _____°
 Transmission Height: Orange

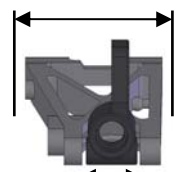
Sway Bar: _____

Washers 0
 E-Speed High
 E-Speed Low



Anti-Squat: 0.060

Arm Position:
 Back Mid Fwd



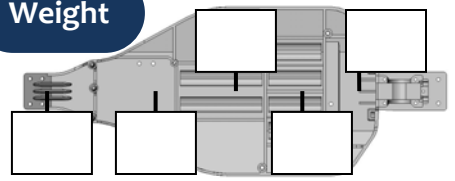
Hub Position:
 Back Mid Fwd

Rear Shocks

	Spring	Piston	Oil
AE	Green	1	35
Losi			
Kyosho			

Shock Length: 1 Limiter
 Compressed Length: _____

Weight



Total Weight: _____
 F/R Bias: _____ / _____

Notes/Rants/Excuses

Truck is really good when track is grooved, working on how to get the rear of the truck to "roll" more. Quick change wheels all the way around

Battery: _____ Motor: 6.5 Gearing: _____ / 84